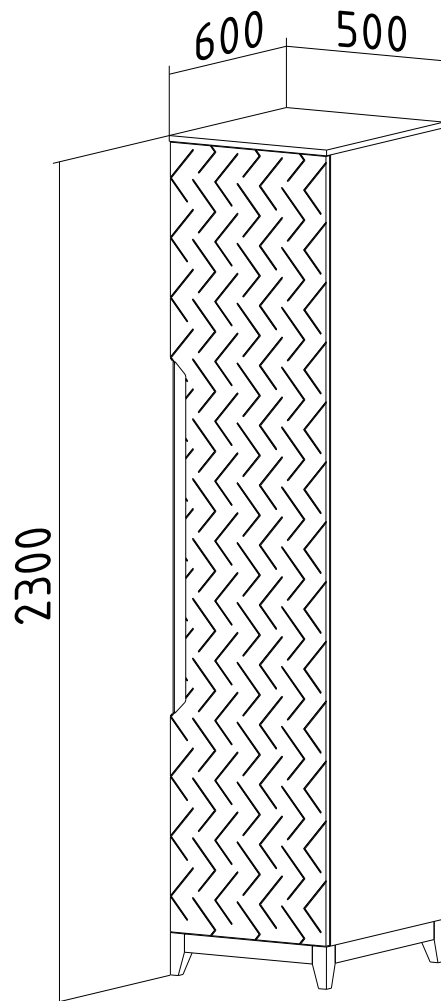
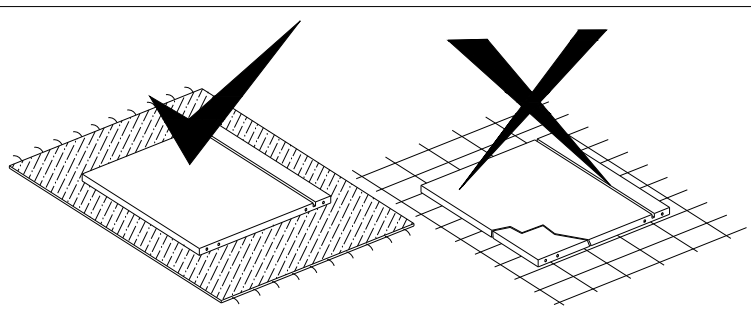
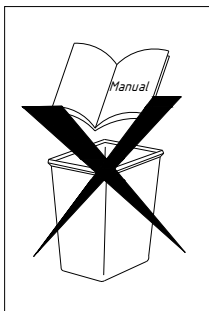
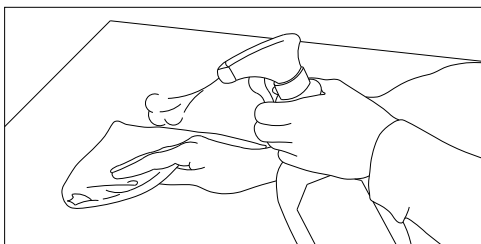
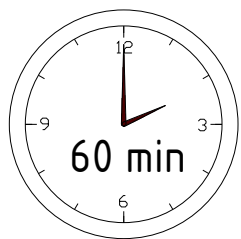
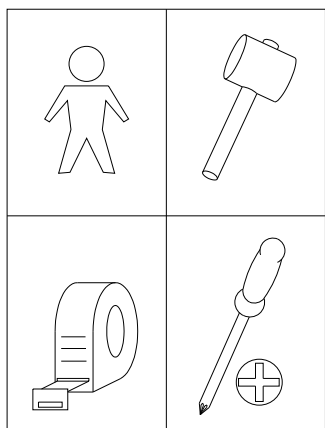
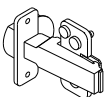
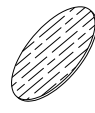
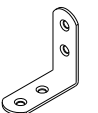

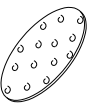
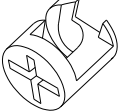

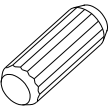
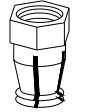
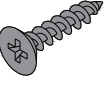


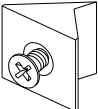
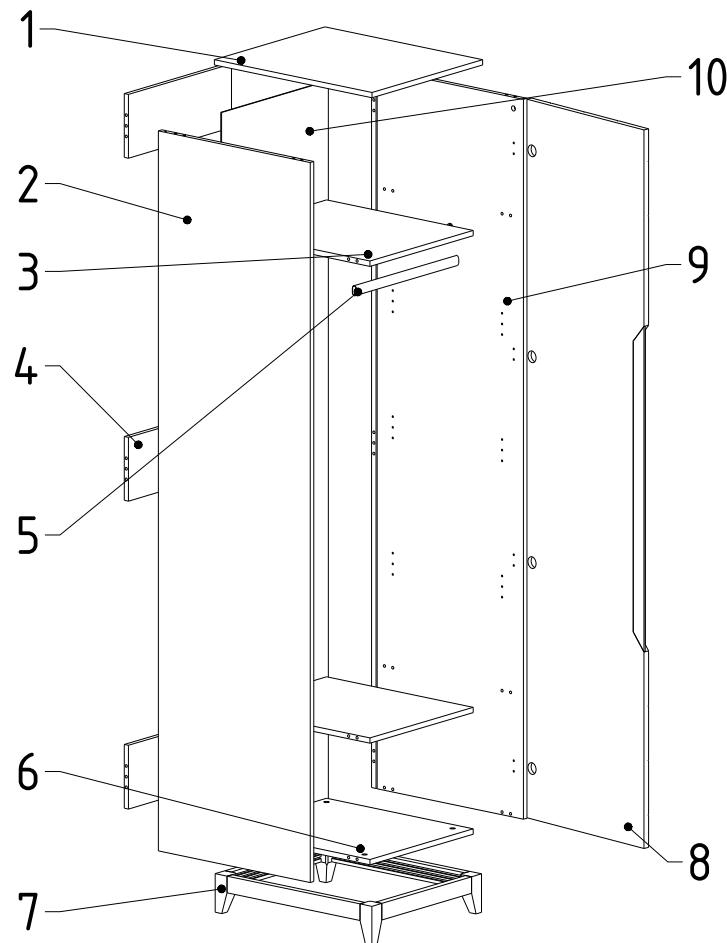


SKANDI 500x600x2300 Art.4009261H

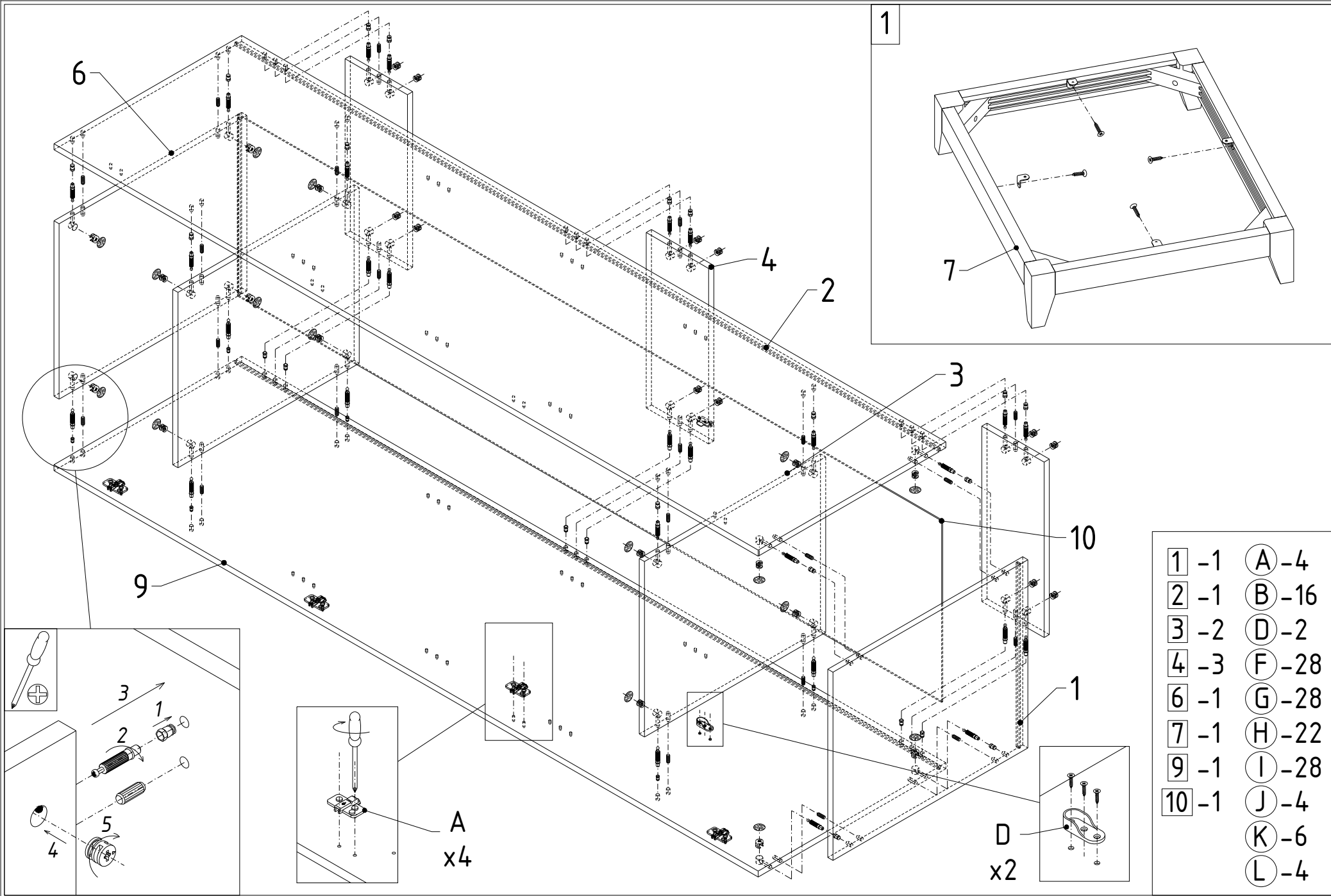


- A x4**  **B x16** 
 $\phi 20$
- C x2**  **D x2** 
 40x40 15x30
- E x4**  **F x28** 
 $\phi 24$ 16x12
- G x28**  **H x22** 
 M6 7x34 8x30
- I x28**  **J x8** 
 M6 8x12 3.5x16
- K x14**  **L x4** 
 3.5x16 20x20
- M x12** 



Packaging number	Contains	Size (LxWxH)	Quantity
1	1	502x600x16	1
	3	468x558x16	2
	6	468x578x16	1
	4	468x192x16	3
	5, A-M	100x100x480	1
2	2	2168x578x16	1
	10	2168x484x4	1
	8	2164x496x19	1
3	9	2168x578x16	1
	7	596x498x112	1

SKANDI 500x600x2300 Art.4009261H



1	-1	A	-4
2	-1	B	-16
3	-2	D	-2
4	-3	F	-28
6	-1	G	-28
7	-1	H	-22
9	-1	I	-28
10	-1	J	-4
		K	-6
		L	-4

SKANDI 500x600x2300 Art.4009261H

